

# 2 SLICE TOASTER

---



MODEL WST3016ZE

**OWNER'S MANUAL**



**Westinghouse**

# IMPORTANT SAFEGUARDS

When using electrical appliances, basic safety precautions should always be followed including the following:

1. Read all instructions.
2. Do not touch hot surfaces. Use handles or knobs.
3. To protect against electrical shock do not immerse cord, plugs, or appliance in water or other liquid.
4. Close supervision is necessary when any appliance is used by or near children.
5. Unplug from outlet when not in use and before cleaning. Allow to cool before putting on or taking off parts.
6. Do not operate any appliance with a damaged cord or plug or after the appliance malfunctions or has been damaged in any manner. Contact Consumer Service for examination, repair or adjustment.
7. The use of accessory attachments not recommended by the appliance manufacturer may cause injuries.
8. Do not use outdoors.
9. Do not let cord hang over edge of table or counter, or touch hot surfaces.
10. Do not place on or near a hot gas or electric burner, or in a heated oven.
11. To disconnect, turn control to cancel position, then remove plug from wall outlet.
12. Do not use appliance for other than intended use.
13. Oversize foods, metal foil packages, or utensils must not be inserted in a toaster as they may involve a risk of fire or electric shock.
14. A fire may occur if toasters are covered or touching flammable material, including curtains, draperies, walls, and the like, when in operation.
15. Do not attempt to dislodge food when toaster is plugged in.

## SAVE THESE INSTRUCTIONS

**For Household Use Only**

# ADDITIONAL IMPORTANT SAFEGUARDS

**CAUTION HOT SURFACES:** This appliance generates heat and escaping steam during use. Proper precautions must be taken to prevent the risk of burns, fires, or other injury to persons or damage to property.

1. A person who has not read and understood all operating and safety instructions is not qualified to operate this appliance. All users of this appliance must read and understand this Owner's Manual before operating or cleaning this appliance.
2. Unplug from outlet when not in use and before cleaning. To avoid electric shock, never immerse or rinse this appliance in water or any other liquid.
3. If this appliance falls or accidentally becomes immersed in water, unplug it from the wall outlet immediately. Do not reach into the water!
4. When using this appliance, provide adequate air space above and on all sides for air circulation. Do not operate this appliance while it is touching or near curtains, wall coverings, clothing, dishtowels or other flammable materials.
5. To reduce the risk of fire, do not leave this appliance unattended during use.
6. If this appliance begins to malfunction during use, immediately unplug the cord. Do not use or attempt to repair a malfunctioning appliance!
7. The cord to this appliance should only be plugged into a 120V AC electrical wall outlet.
8. Do not use this appliance in an unstable position.
9. Use the Toaster on a hard, flat surface. Do not place it near a flame or heat or on a soft surface (such as carpet). Avoid placing it where it may tip over during use. Dropping the Toaster could cause it to malfunction.
10. If this appliance begins to malfunction during use, immediately turn control to cancel position and unplug the cord. Do not use or attempt to repair the malfunctioning appliance.
11. **WARNING: ELECTRICAL SHOCK HAZARD.** Never attempt to dislodge food inside the Toaster while the Toaster is plugged in. Doing so could cause an electrical shock hazard or a risk of fire.

**CAUTION:** This appliance is hot during operation and retains heat for some time after turning off. Always use oven mitts when handling hot materials and allow metal parts to cool before cleaning. Do not place anything on top of the Toaster while it is operating or while it is hot.

## **CAUTION:**

**DO NOT** toast pastries with runny fillings or frosting.

**DO NOT** toast torn slices of bread.

**DO NOT** place buttered bread or wrapped food into the Toaster.

**DO NOT** toast small-size breads, mini-baguettes, breadsticks, etc.

## **POLARIZED PLUG**

This appliance has a polarized plug (one blade is wider than the other). To reduce the risk of electric shock, this plug is intended to fit into a polarized outlet only one way. If the plug does not fit fully in the outlet, reverse the plug. If it still does not fit, contact a qualified electrician. Do not attempt to modify the plug in any way.

## **SHORT CORD INSTRUCTIONS**

A short power-supply cord is provided to reduce the risk resulting from becoming entangled in or tripping over a longer cord.

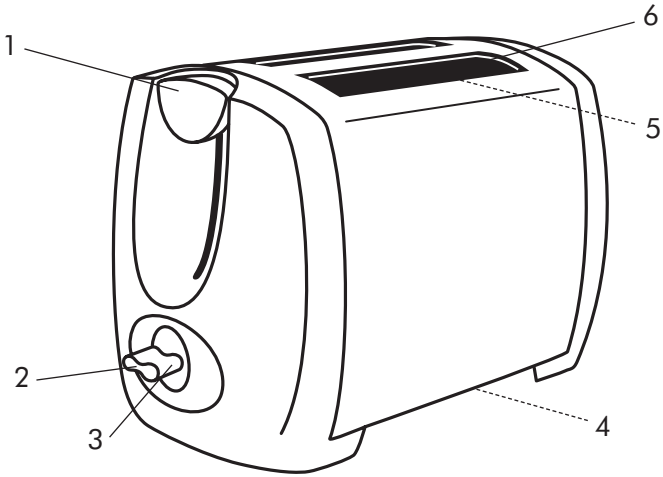
The use of an extension cord is not recommended.

## **ELECTRIC POWER**

If the electrical circuit is overloaded with other appliances, your appliance may not operate properly. It should be operated on a separate electrical circuit from other appliances.

# GETTING TO KNOW YOUR WESTINGHOUSE WST3016ZE 2 SLICE TOASTER

PRODUCT MAY VARY SLIGHTLY FROM ILLUSTRATION.



- 1. Toast Lever with Auto Hi-Lift
- 2. Cancel Toasting Position
- 3. Toast Color Control

- 4. Crumb Tray
- 5. Self-Adjusting Bread Slots
- 6. Bread Slots

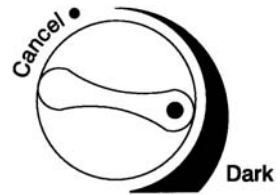
## BEFORE USING FOR THE FIRST TIME

1. Carefully unpack your Toaster and remove all packaging materials.
2. To remove any dust that may have accumulated during packaging, simply wipe the Toaster exterior with a clean, damp cloth.
3. Do not use abrasive cleansers.
4. Do not put the Toaster, cord or plug in water.

## OPERATING INSTRUCTIONS

### SELECTING TOAST COLOR

The Color Selector Knob is located on the front of your Toaster. Simply turn the Knob to the desired toast color. The first time you toast, it is best to position the Knob at the middle of the range; then adjust each subsequent toasting to your preference.



Cancel Feature: Turn Toast Color Control Knob counter-clockwise to the CANCEL position to interrupt toasting at anytime.

### TOASTING BREAD

1. Place your Toaster on a flat, level surface.
2. Plug power cord into a 120V AC outlet. The unit may emit an odor and/or smoke during the first few uses from oils used in manufacturing. This is normal for a new appliance.
3. Adjust the Color Selector Knob to the desired lightness or darkness. Turn Knob to the left for LIGHT toast or to the right for DARK toast. For the first use, set the Toast Color Control mid-way between Light and Dark settings.
4. Remove all protective wrappings from food before placing in Bread slots. (Avoid toasting torn slices of bread and broken pastries, which may get lodged in Bread slots.)
5. Place bread or toaster food into Bread Slot and depress the toasting lever. Centering guides will automatically center for even toasting. When toasting a single slice, the bread or toaster food may be placed in either Bread Slot, but may toast slightly darker on the inside than on the outside.
6. Toast will automatically pop up when the selected color is reached.
7. Unplug cord from wall outlet when not in use.

**NOTE:** To prevent a fire hazard, never place bread over the opening of the Toaster, but always place it into the Bread Slot.

# OPERATING INSTRUCTIONS (Cont.)

## BAGEL AND ENGLISH MUFFIN TOASTING INSTRUCTIONS

1. Plug cord into any 120 V 60Hz outlet. The unit may emit an odor and/or smoke during the first few uses from oils used in manufacturing. This is normal for a new appliance.
2. Set Color Control to the color desired. For the first use, set the Toast Color Control mid-way between Light and Dark settings.
3. Slice bagel or English muffin in half; place one half in each bread slot with the cut sides facing the center of the toaster. Push down on the toast lever.

**NOTE:** Use any slot when toasting only half a bagel or English muffin. Use slices that fit freely into bread slots. The Self Adjusting Bread Slots hold food upright for uniform side-to-side toasting.

4. When the bagel or muffin is done, the Toast Lever will pop up. The power will shut off automatically.
5. To interrupt toasting, turn Toast Color Control counter-clockwise to the Cancel Position.

## CONVENIENCE FOODS TOASTING

Today there are many varieties of packaged convenience food available, both frozen and non-frozen (shelf pastry) that can be toasted in your toaster.

Since toaster foods and individual tastes vary, it is difficult to recommend exact Toast Color Control Settings, however, after a little experimentation you will discover the best setting for your needs. You may also wish to refer to the heating instructions on food packaging.

## PASTRY

For best results, follow the instructions printed on the pastry package. If the package does not have instructions, position the Color Selector Control Knob in the middle. Some pastries may require a second toasting cycle.

**NOTE:** Do not use this Toaster for toasting pastry items with runny-type frosting or open fillings.

## NON-FROZEN SHELF PASTRY

Move the Toast Color Control to a lighter setting. For thicker convenience foods, it may be necessary to adjust the Toast Color Control clockwise for a longer toasting cycle.

# OPERATING INSTRUCTIONS (Cont.)

## FROZEN FOODS

Move the Toast Color Control to a darker color setting. Due to variation in size and density, frozen items will require different settings. Moving the Toast Color Control clockwise will provide a longer toasting cycle.

Thawing frozen foods before toasting will help ensure that the inside of the food is heated and will prevent the outside from burning. Again, experimentation is the best way to accommodate individual tastes and food choices.

## REMOVING LODGED TOAST

If a piece of toast becomes lodged in the Toaster, unplug the Toaster and allow to cool. Press the Toasting Lever down. Turn the Toaster upside down, and shake the toast loose.

**IMPORTANT:** Never use a fork or sharp-edged utensil to remove toast, because that may damage the heating element or cause injury.

## AUTOMATIC CENTERING BREAD GUIDES

Lowering the Toasting Lever closes the Bread Guides, holding the bread centrally in the toasting slots.

## IMPORTANT POINTS

1. Remove all protective wrappings from food before placing in Toasting Slots.
2. For best results, clean Crumb Tray frequently.
3. Different breads require different color settings. Turn the Toast Color Control knob counter-clockwise to the CANCEL position at any time to check toast color.
4. Do not block top openings. Do not place any object over the top openings.
5. Do not toast buttered bread or buttered pita bread. Melted butter will cause fire.
6. Bread, which has been toasted but not buttered, may be reheated. Use a lighter setting and watch it carefully.
7. When toasting more than one slice of bread, use slices of similar size, thickness and freshness.
8. Stale bread, thin bread or sweet bread products, such as teacakes and fruit loaf, brown much more quickly than ordinary bread, so they should be toasted on the lighter setting.



# **OPERATING INSTRUCTIONS (Cont.)**

## **IMPORTANT POINTS (Cont.)**

9. Never immerse Toaster in water.
10. Never use a fork or sharp utensils to remove toast, because that may damage the heating element or cause injury.

## **USER MAINTENANCE INSTRUCTIONS**

This appliance requires little maintenance. It contains no user serviceable parts. Do not try to repair it yourself. Contact a qualified appliance repair technician if the product requires servicing.

### **CARE AND CLEANING**

#### **DO NOT IMMERSE IN WATER OR OTHER LIQUID.**

Always unplug the Toaster and allow to cool fully before cleaning.

**Crumb Tray:** The Crumb Tray is located at the bottom of the Toaster. For ease in cleaning, turn the Toaster upside down over the sink or garbage pail. Squeeze the metal tab on the Crumb Tray and pull the tray up. Brush crumbs from the Tray and, if necessary, wipe with a clean, damp cloth. Always dry the Tray thoroughly before securing in place. To replace the Tray, lower the Tray and squeeze the metal tab to secure in place.

**Exterior:** Wipe surfaces with a clean, damp cloth. Do not use abrasive cleaners, as they may scratch the surface.

### **STORAGE**

Unplug unit, allow to cool, and clean before storing. Store in its box in a clean, dry place. Never store it while it is hot or still plugged in. Never wrap cord tightly around the appliance. Do not put any stress on the cord where it enters the unit, as it could cause the cord to fray and break.

## LIMITED ONE YEAR PRODUCT WARRANTY

**Warranty:** This product is warranted to be free from defects in materials and workmanship for a period of one (1) year from the original purchase date. This product warranty covers only the original consumer purchaser of the product.

**Warranty Coverage:** This warranty is void if the product has been damaged by accident in shipment, unreasonable use, misuse, neglect, improper service, commercial use, repairs by unauthorized personnel, normal wear and tear, improper assembly, installation or maintenance abuse or other causes not arising out of defects in materials or workmanship. This warranty is effective only if the product is purchased and operated in the USA or Canada, and does not extend to any units which have been used in violation of written instructions furnished with the product or to units which have been altered or modified or to damage to products or parts thereof which have had the serial number removed, altered, defaced or rendered illegible.

**Implied Warranties:** ANY WARRANTIES IMPLIED WHICH THE PURCHASER MAY HAVE ARE LIMITED IN DURATION TO ONE (1) YEAR FROM THE DATE OF PURCHASE. Some states and provinces do not allow limitations on how long an implied warranty lasts, so the above limitation may not apply to you.

**Warranty Performance:** During the above one-year warranty period, a product with a defect will be either repaired or replaced with a comparable model when the product is returned to Zellers. The repaired or replacement product will be in warranty for the balance of the one-year warranty period and an additional one-month period. No charge will be made for such repair or replacement within the warranty period.


**Important Notice:** If any parts are missing or defective, return this product to the place of purchase.

Any questions or comments can be directed to the Consumer Relations Department. Please write to or call:

Consumer Relations Dept.  
P.O. Box 7366  
Columbia, MO 65205-7366, USA  
1(800) 233-9054

**Limitation of Remedies:** No representative or person is authorized to assume for us any other liability in connection with the sale of our products. There shall be no claims for defects or failure of performance or product failure under any theory of tort, contract or commercial law including, but not limited to negligence, gross negligence, strict liability, breach of warranty, and breach of contract. Repair, replacement or refund shall be the sole remedy of the purchaser under this warranty. Some states and provinces do not allow the exclusion or limitation of incidental or consequential damages, so the above limitation or exclusion may not apply to you.

**Legal Rights:** This warranty gives you specific legal rights, and you may also have other rights which vary from state to state/province.

WESTINGHOUSE™,  and "YOU CAN BE SURE...IF IT'S WESTINGHOUSE™" are trademarks of WESTINGHOUSE ELECTRIC CORPORATION and used under license by MAXIM-TOASTMASTER. **In no event shall MAXIM-TOASTMASTER be liable for any incidental or consequential damages, losses or expenses.**

Made in China

"© 2003  
All Rights Reserved"

P/N 61253  
Printed in China